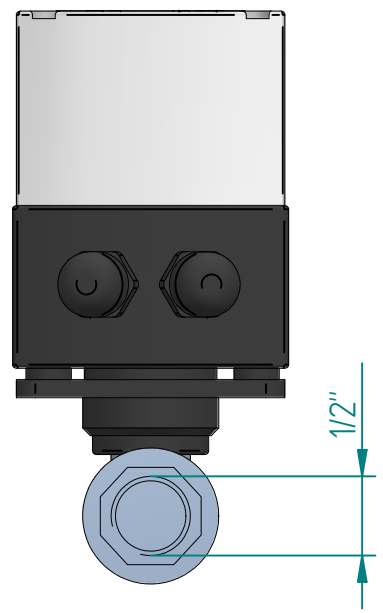
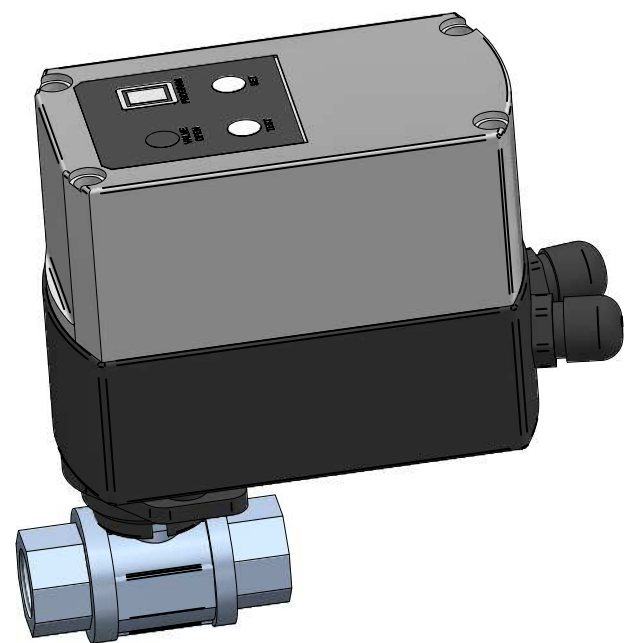
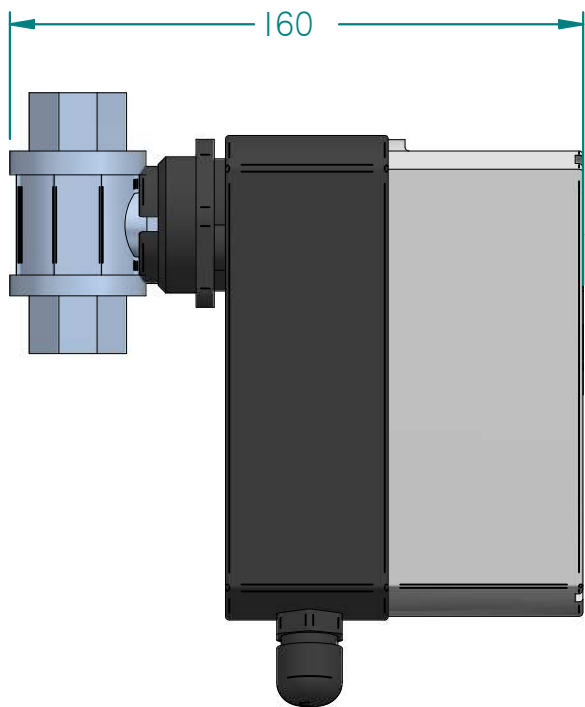
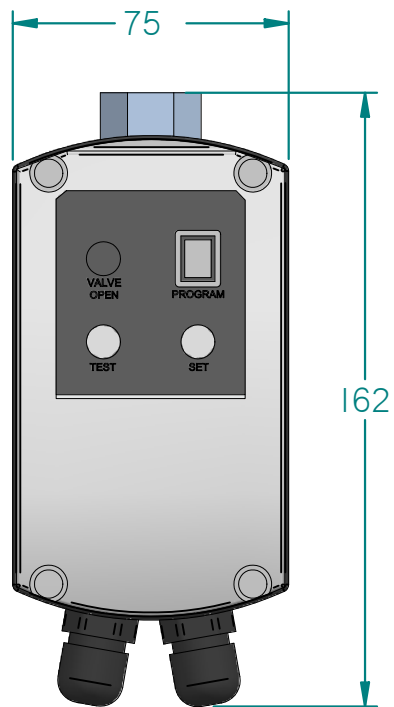


The original of this drawing is copyright and contains confidential information. It is property of JORC Industrial without whose permission it may NOT be copied, shown or handed to a third party or otherwise used and it is to be returned promptly upon request to JORC Industrial.



	NAME	DATE		
DRAWN	FK	16-05-2016	TEC-44	ARTIKEL NUMBER:
CHECKED				
JORC Industrial LLC 1146 River Road New Castle, DE 19720 USA			SIZE A4	REV A
National Tel: 302 395 0310 Fax: 302 395 0312			ALL dimensions are in millimetres unless otherwise stated	
International Tel: +1 302 395 0310 Fax: +1 302 395 0312			SHEET: 1/1	