



1" VERSION



2" VERSION

SAFETY AND PROPER USAGE

To ensure safe and enduring performance of this product, you must comply strictly with the instructions enclosed, herein. Non-compliance with instructions or improper handling of the product will void your warranty! Usage of this product in conditions not specified in this manual or in contrary to the instructions hereby provided is considered IMPROPER. The manufacturer will not be held liable for any damages resulting from improper use of the product.

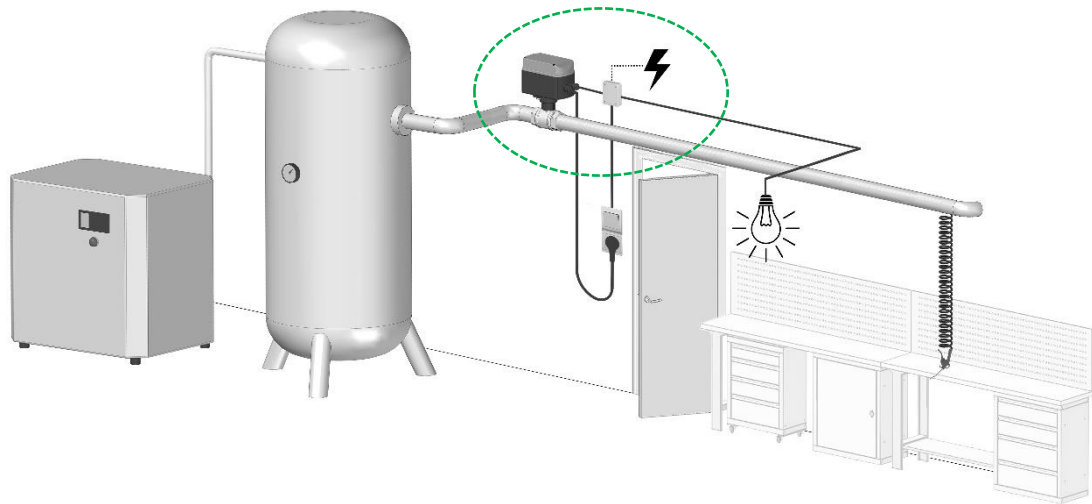
SAFETY & WARNING INSTRUCTIONS

- Observe valid and generally accepted safety rules when planning, installing, and using this product.
- Take proper measures to prevent unintentional operation of the product or damage to it.
- Do not attempt to disassemble this product or lines in the system while they are under pressure.
- Always depressurise the compressed air system before working on the system.

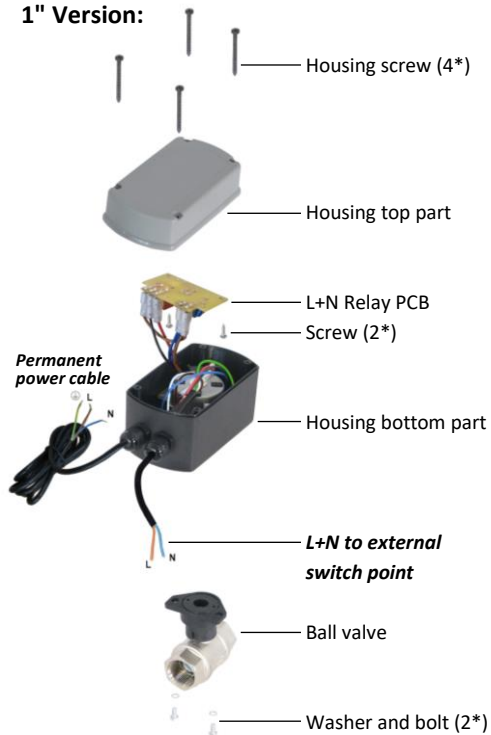
It is important that personnel use safe working practices and observe all regulations and legal requirements for safety when operating this product. When handling, operating, or carrying out maintenance on this product, personnel must employ safe engineering practices and observe all local health & safety requirements & regulations. International users refer to regulations that prevail within the country of installation. Most accidents, which occur during the operation and maintenance of machinery, are the result of failure to observe basic safety rules or precautions. An accident can often be avoided by recognising a situation that is potentially dangerous. Improper operation or maintenance of this product could be dangerous and result in an accident, causing injury or death. The manufacturer cannot anticipate every possible circumstance, which may represent a potential hazard. The WARNINGS in this manual cover the most common potential hazards and are therefore not all-inclusive. If the user employs an operating procedure, an item of equipment or a method of working which is not specifically recommended by the manufacturer he must ensure that the product will not be damaged or made unsafe and that there is no risk to persons or property.

NEVER CHANGE ORIGINAL COMPONENTS WITH ALTERNATIVES

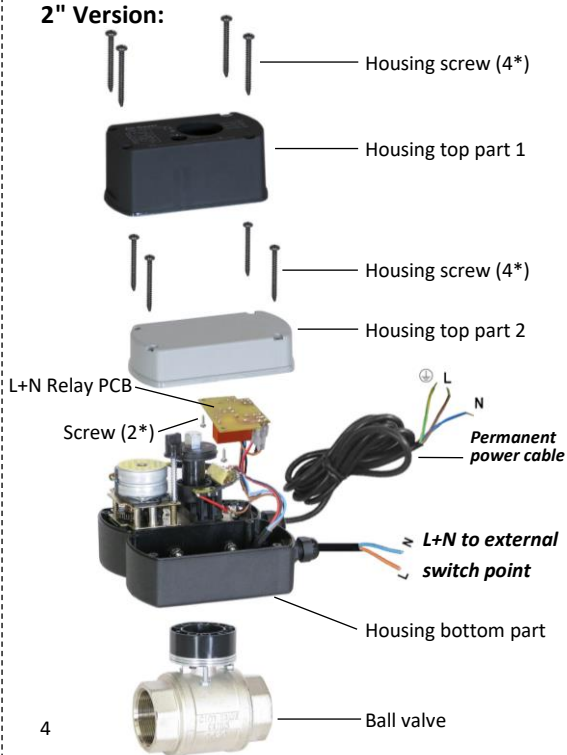
TYPICAL INSTALLATION SET-UP



1" Version:



2" Version:



INSTALLATION INSTRUCTIONS

Before installing this product, make sure it complies with your request and that it suits your application!

1. Unpack the motorised ball valve and visually inspect for any transport damage incurred after leaving our factory.

2. Depressurise the system before installation or maintenance is carried out!

3. Locate a suitable point in your compressed air system to connect this product. We advise to install it as close to your compressed air tank as possible.

Installation notes:

- *Make sure that no solid matter (e.g., sealing compound residue) gets into the product during the installation.*

- *Make sure that the pipeline is thoroughly clean.*

- *Use quality sealing compound only!*

- *Use proper tools for fixing the valve part to your pipe work!*

- *Never use the product as a lever.*

4. The motorised ball valve part of this product usually operates in any mounting position. However, we recommend that the product is mounted upright or side-ways.

5. Minimum space required around the unit is 100 mm, to allow for manual operation.

6. Unscrew the top cover. *Make sure not to damage the cables that are attached.*

7. Feed the cable, coming from the source you want to switch the motorised ball valve with, through the cable gland and connect the cables to the connector on the 'L+N relay'.

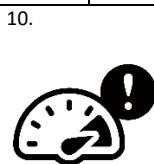
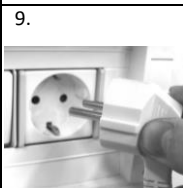
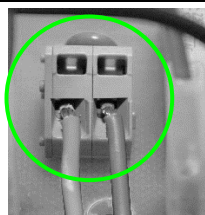
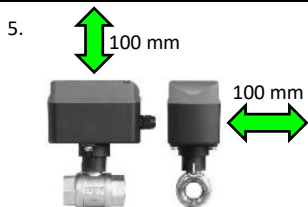
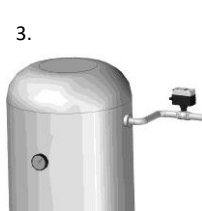
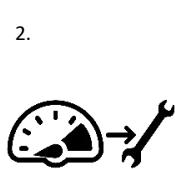
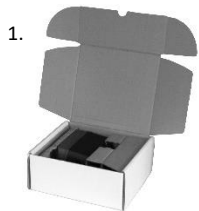
8. Close the top cover, making sure not to damage any cables. Connect the Power cord to a suitable **Permanent** power supply.

Make sure the voltages used for the external switch point and the power supply for the ball valve are equal!

9. Make sure that your power supply voltage and frequency comply with those stated on the product before you switch it on!

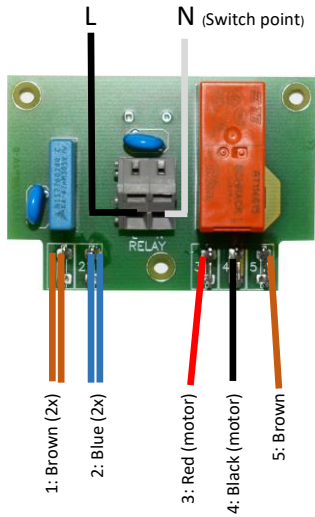
10. Restore system pressure.

11. Your motorised ball valve, operated by external switch point, is now ready for use!

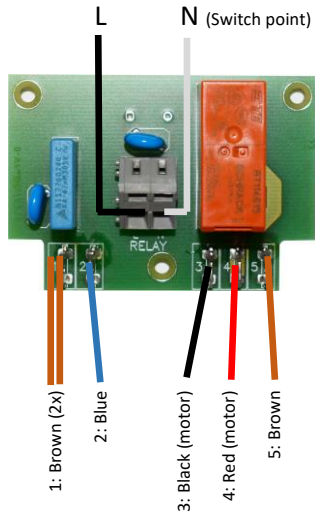


WIRING 1/2

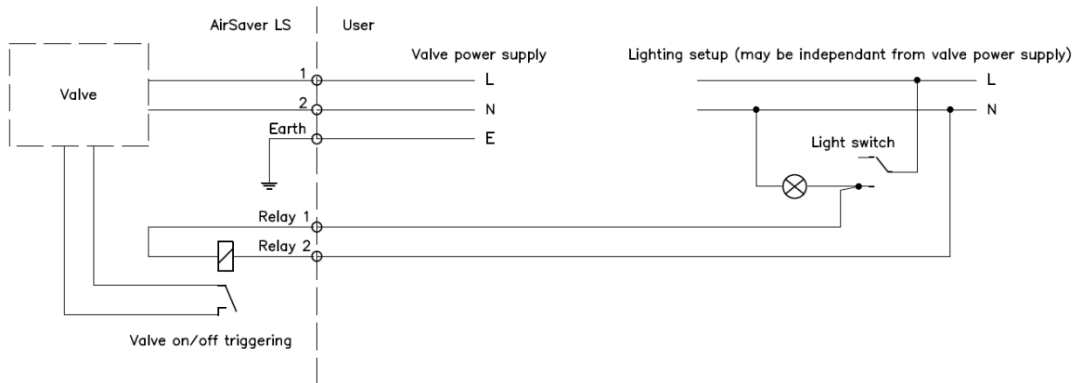
1" Version:



2" Version:



WIRING 2/2

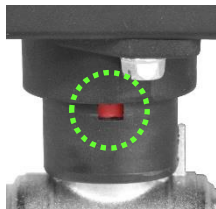


MANUAL OVERRIDE

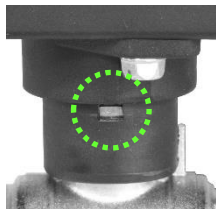
1" Version: You can manually open and close the valve by (1.) pushing the actuator towards the valve and (2.) turning it left or right 90°.



VALVE INDICATOR



RED = OPEN

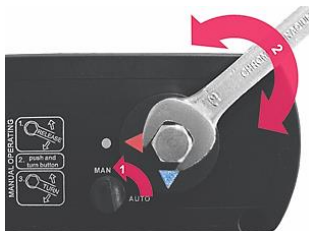


**No colour (metal) =
CLOSED**

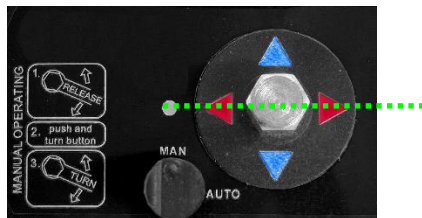
****PLEASE NOTE: after using the manual override function to open or close the valve, the housing is rotated 90° relative to the ball valve. This means the OPEN and CLOSE functions are reversed (OPEN is CLOSE and CLOSE is OPEN). Switching the lights ON will CLOSE the valve and switching the lights OFF will OPEN the valve. Repeat the manual opening and closing of the valve to restore the OPEN and CLOSE functions as normal.***

MANUAL OVERRIDE

2" Version: You can manually open and close the valve by (1.) pressing down the switch and turning it from 'AUTO' to 'MAN'. Use a 13 mm wrench to (2.) OPEN or CLOSE the valve.



VALVE INDICATOR



RED ARROW = OPEN
BLUE ARROW = CLOSED

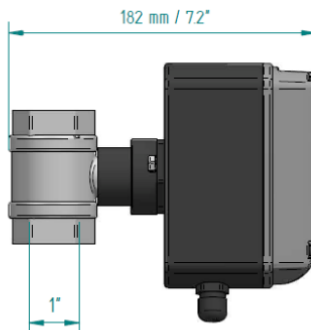
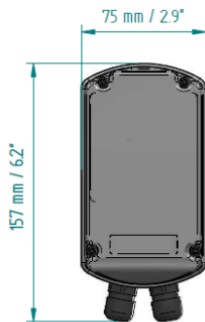
***PLEASE NOTE:** When the manual override switch is in 'MAN' position, the actuator (controlled by the light switch) will not open or close the valve. The actuator will only open or close the valve, controlled by the light switch, in 'AUTO' position.

TECHNICAL SPECIFICATIONS

Min./max. system pressure	0 - 16 bar	0 – 230 psi
Min./max. medium temperature	1 - 100 °C	34 – 210 °F
Min./max. ambient temperature	1 - 50 °C	34 – 120 °F
Supply voltage options	115VAC or 230VAC 50/60Hz. <i>(please check label!)</i>	
Power consumption	1" : Approx. 7W during cycle rotation	2" : Approx. 9W during cycle rotation
Enclosure protection rating	IP54 (NEMA13)	
Relay switch	115VAC or 230VAC	
Valve inlet/outlet connections	1" (BSP or NPT)	2" (BSP or NPT)
Valve opening/closing duration	1" : 30 sec. / 90°	2" : 105 sec. / 90°
Valve housing material	Brass, nickel plated	
Manual override	Yes	

DIMENSIONS

1" Version



2" Version:

