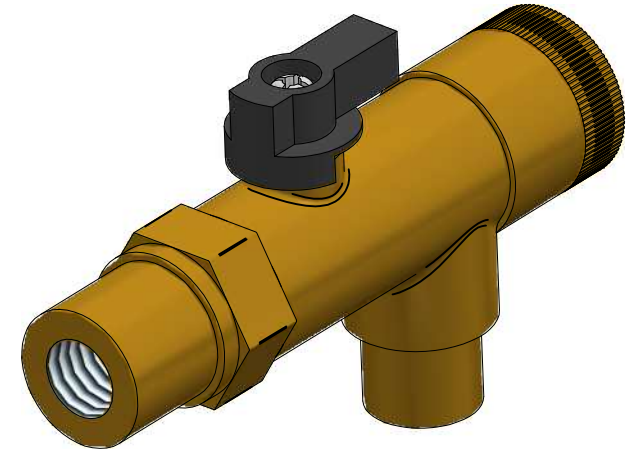
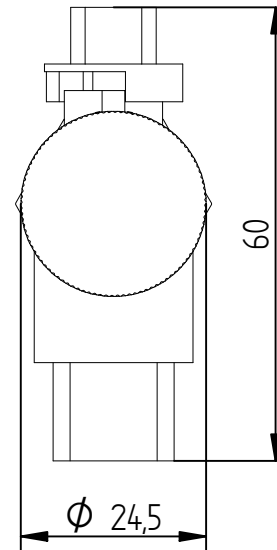
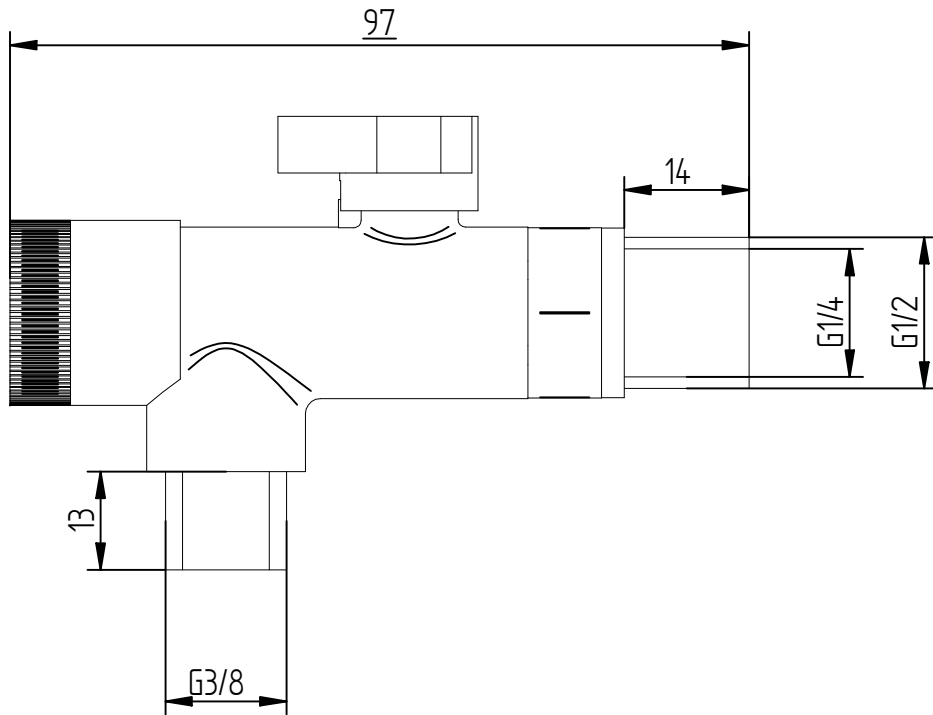

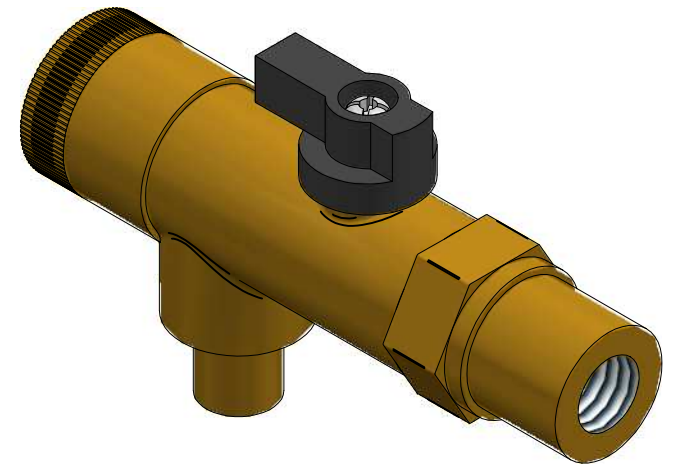
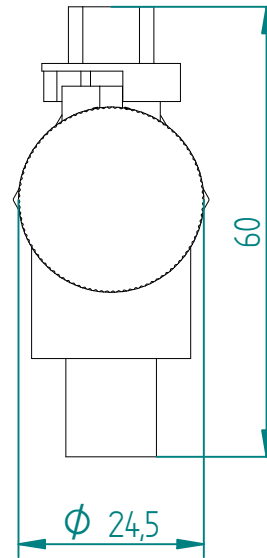
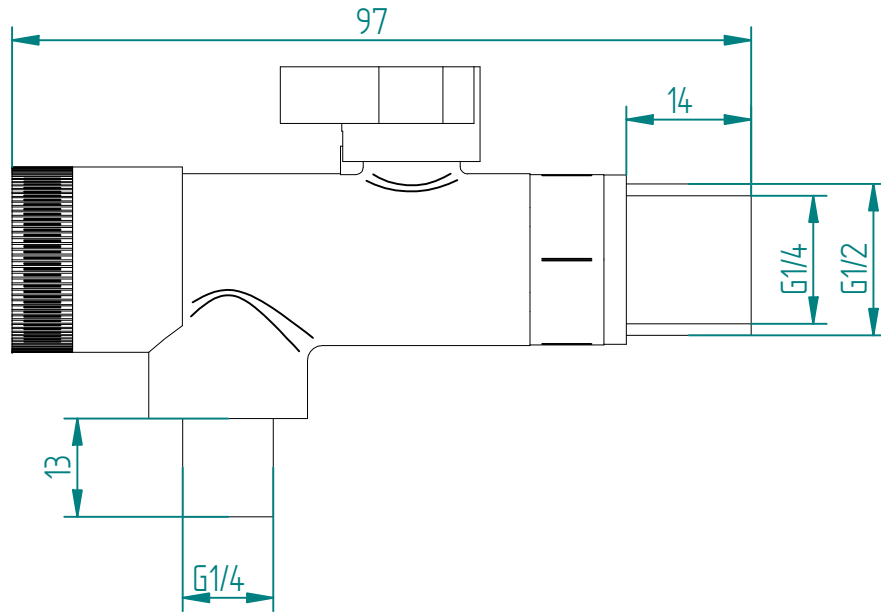



The original of this drawing is copyright and contains confidential information. It is property of JORC Industrial without whose permission it may NOT be copied, shown or handed to a third party or otherwise used and it is to be returned promptly upon request to JORC Industrial.



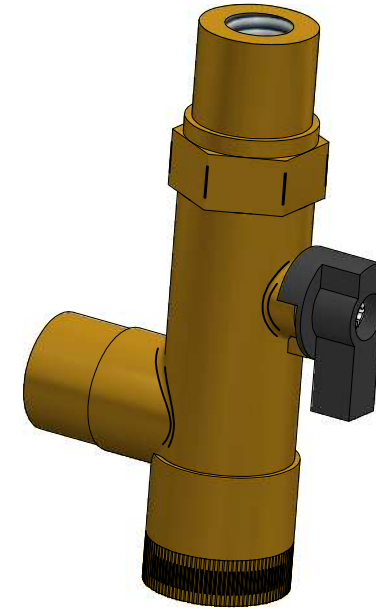
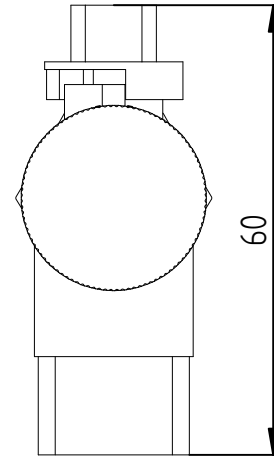
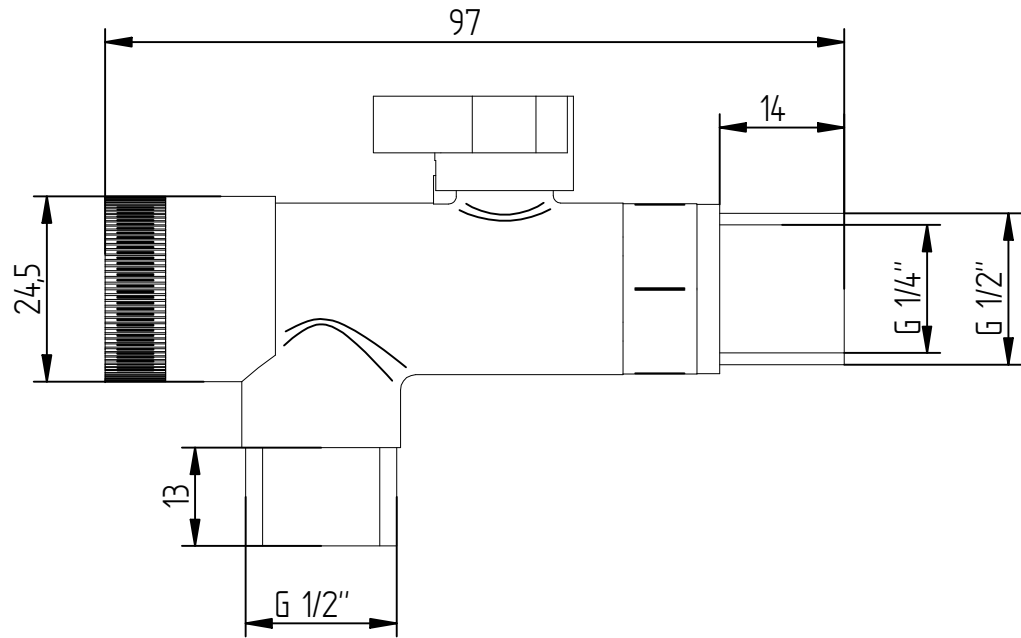
				
	NAME	DATE		
DRAWN	FK	10-02-2017	BALL VALVE STRAINER G1/2-G3/8	
CHECKED			ARTIKEL NUMBER: 9000	
JORC industrial BV Pretoriastraat 28 6413 NN, Heerlen, The Netherlands National Tel: 045 524 24 27 International Tel +31 45 524 24 27			SIZE A4	REV A
ALL dimensions are in millimetres unless otherwise stated				


The original of this drawing is copyright and contains confidential information. It is property of JORC Industrial without whose permission it may NOT be copied, shown or handed to a third party or otherwise used and it is to be returned promptly upon request to JORC Industrial.



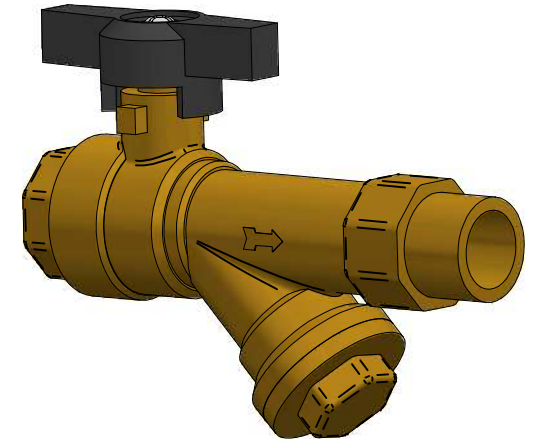
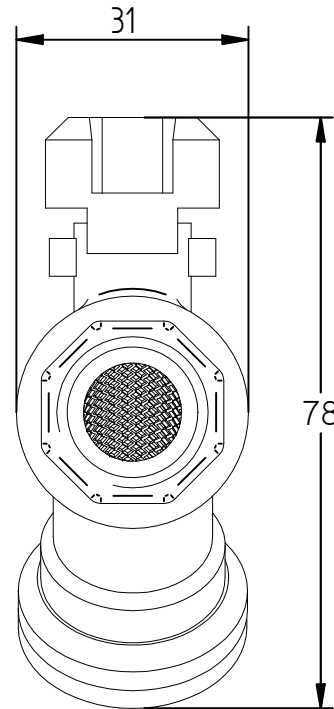
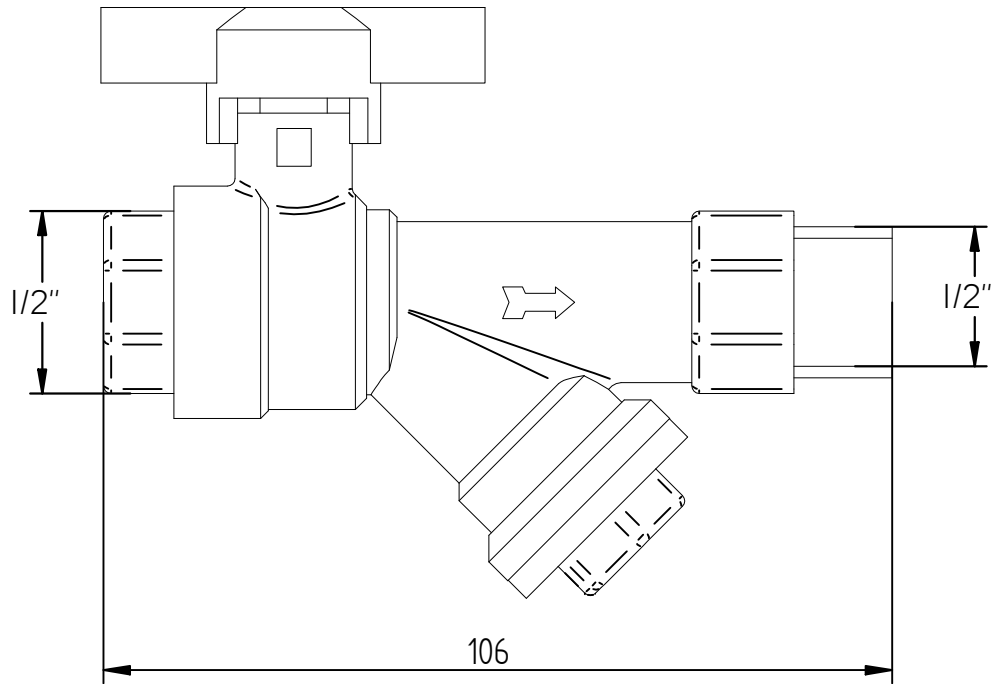
				
	NAME	DATE		
DRAWN	FK	10-02-2017	BALL VALVE STRAINER G1/2-G1/4 ARTIKEL NUMBER: 9002	
CHECKED				
JORC industrial BV Pretoriastraat 28 6413 NN, Heerlen, The Netherlands National Tel: 045 524 24 27 International Tel +31 45 524 24 27			SIZE A4	REV A
			All dimensions are in millimetres unless otherwise stated	


The original of this drawing is copyright and contains confidential information. It is property of JORC Industrial without whose permission it may NOT be copied, shown or handed to a third party or otherwise used and it is to be returned promptly upon request to JORC Industrial.



					
	NAME	DATE			
DRAWN	FK	30-10-2013	BALL VALVE STRAINER G1/2-G1/2 ARTIKEL NUMBER: 9007		
CHECKED					
JORC industrial BV Pretoriastraat 28 6413 NN, Heerlen, The Netherlands National Tel: 045 524 24 27 International Tel +31 45 524 24 27			SIZE A4	Material:	REV A
			ALL dimensions are in millimetres unless otherwise stated		

The original of this drawing is copyright and contains confidential information. It is property of JORC Industrial without whose permission it may NOT be copied, shown or handed to a third party or otherwise used and it is to be returned promptly upon request to JORC Industrial.



					
	NAME	DATE			
DRAWN	FK	16-03-2012	INLINE BALL VALVE STRAINER ARTIKEL NUMBER: 9008		
CHECKED					
JORC industrial BV Pretoriastraat 28 6413 NN, Heerlen, The Netherlands National Tel: 045 524 24 27 International Tel +31 45 524 24 27			SIZE A4	Material:	REV A
			ALL dimensions are in millimetres unless otherwise stated		