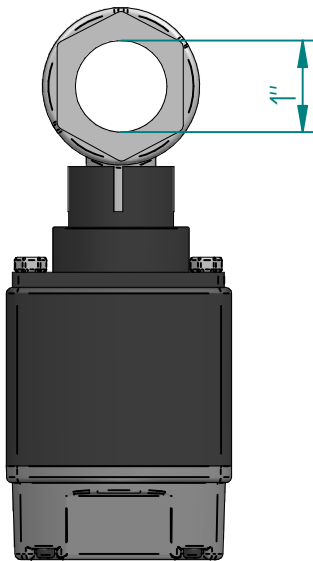
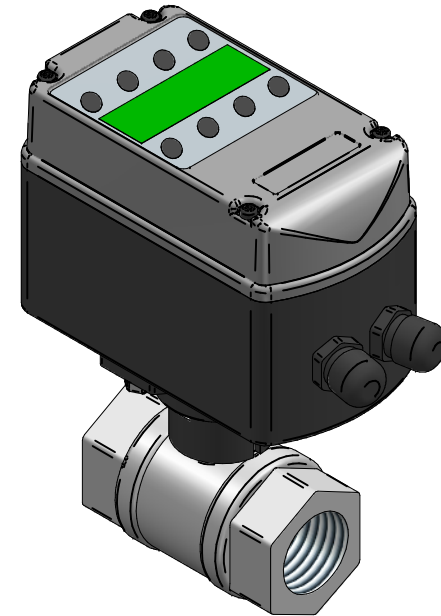
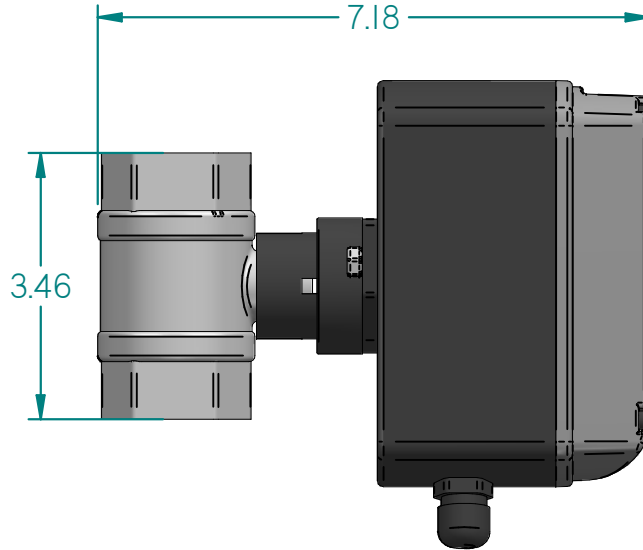
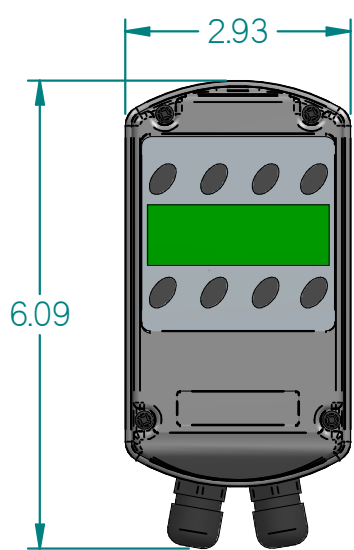



The original of this drawing is copyright and contains confidential information. It is property of JORC Industrial without whose permission it may NOT be copied, shown or handed to a third party or otherwise used and it is to be returned promptly upon request to JORC Industrial.



				
	NAME	DATE		
DRAWN	FK	17-11-2021		
CHECKED			AIR-SAVER 1"	ARTIKEL NUMBER:
JORC Industrial LLC 1146 River Road New Castle, DE 19720 USA National Tel: 302 395 0310 International Tel: +1 302 395 0310			SIZE A4	Material:
			REV A	
ALL dimensions are in inches unless otherwise stated				
				SHEET: 1/1