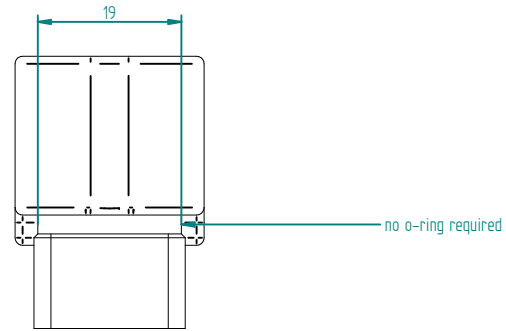
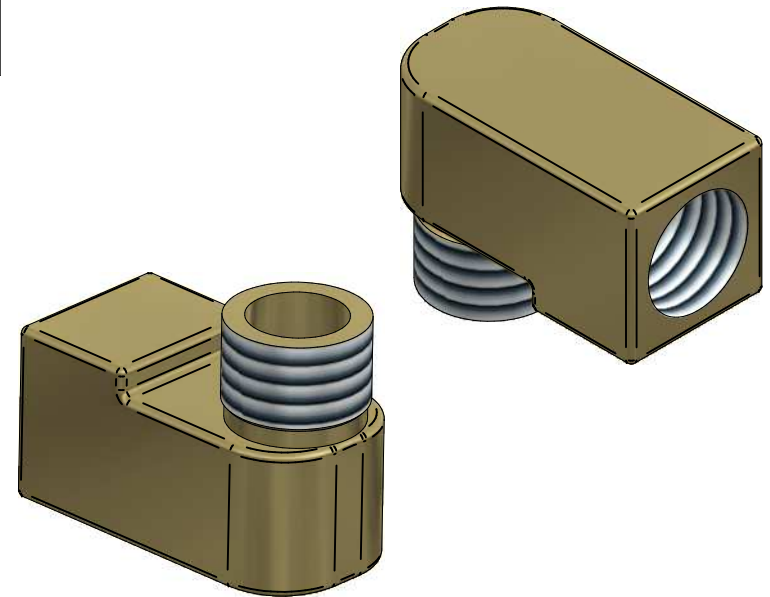
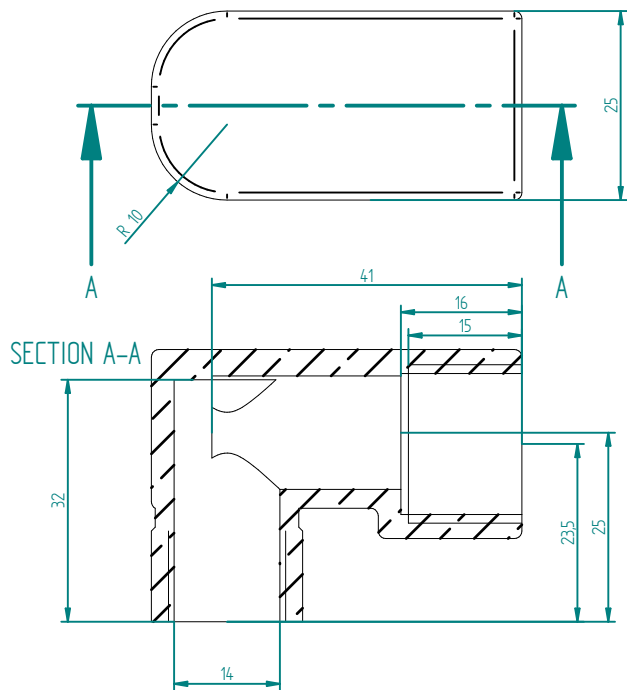


NPT screws in +/- 4 - 4,5 turns



The original of this drawing is copyright and contains confidential information. It is property of JORC Industrial without whose permission it may NOT be copied, shown or handed to a third party or otherwise used and it is to be returned promptly upon request to JORC Industrial.



Dimension tolerance is 0.1mm unless otherwise stated			
		JORC	
DRAWN	FK	DATE	16-05-2016
CHECKED		SIDE INLET ADAPTER	
		ARTIKEL NUMBER:	
JORC industrial BV Pretoriastraat 28 6413 NN, Heerlen, The Netherlands National Tel: 045 524 24 27 Fax: 045 524 19 79 International Tel +31 45 524 24 27 Fax +31 45 524 19 79		SIZE A4	Material: BRASS
		REV A	
All dimensions are in millimetres unless otherwise stated			
			SHEET: 1/1