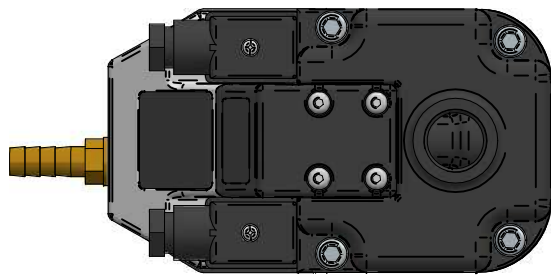
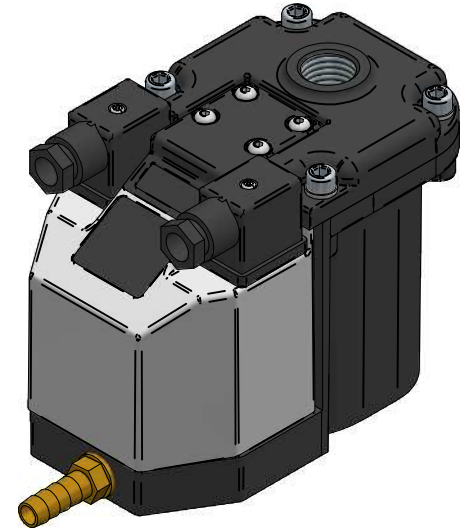
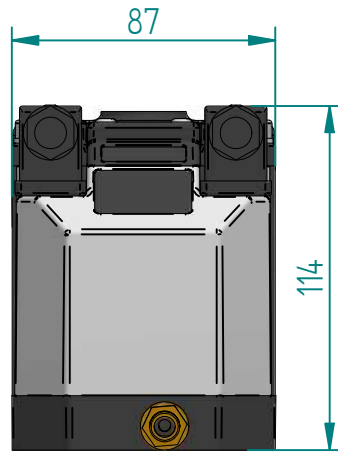
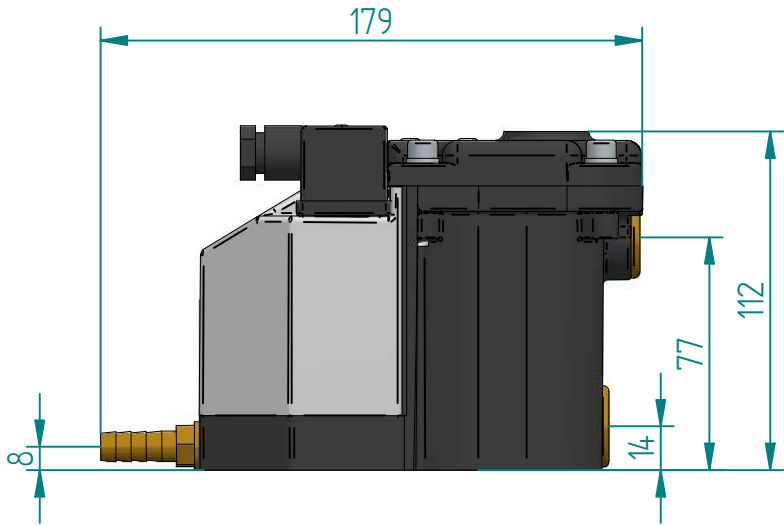



The original of this drawing is copyright and contains confidential information. It is property of JORC Industrial without whose permission it may NOT be copied, shown or handed to a third party or otherwise used and it is to be returned promptly upon request to JORC Industrial.



					
	NAME	DATE			
DRAWN	FK	02-12-2016	SMART GUARD-HP ARTIKEL NUMBER:		
CHECKED					
JORC Industrial LLC 1146 River Road New Castle, DE 19720 USA			SIZE A4	Material:	REV A
National Tel: 302 395 0310 Fax: 302 395 0312 International Tel: +1 302 395 0310 Fax: +1 302 395 0312			All dimensions are in millimetres unless otherwise stated		
			SHEET: 1/1		