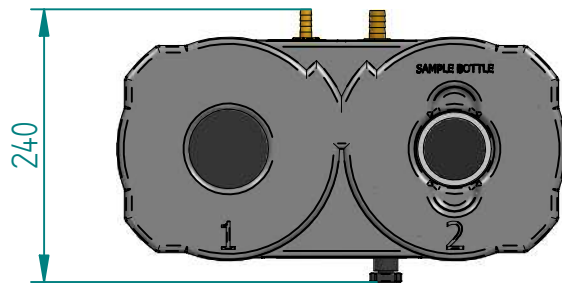
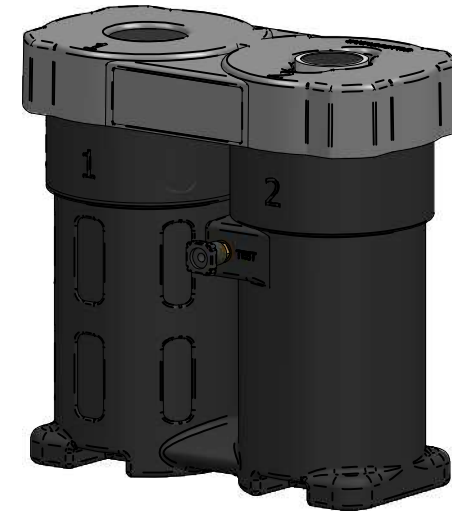
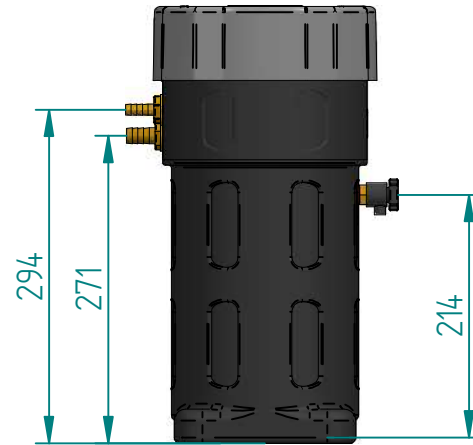
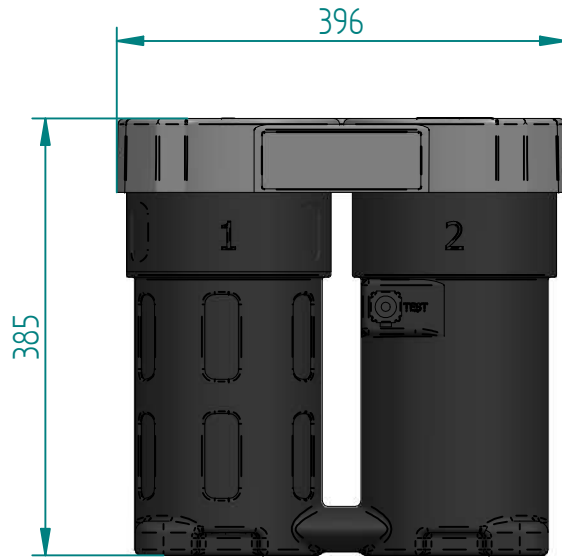


The original of this drawing is copyright and contains confidential information. It is property of JORC Industrial without whose permission it may NOT be copied, shown or handed to a third party or otherwise used and it is to be returned promptly upon request to JORC Industrial.



			JORC		
	NAME	DATE			
DRAWN	FK	10-09-2018			
CHECKED			SEPREMIUM 130	ARTIKEL NUMBER	
JORC Industrial LLC 1146 River Road New Castle, DE 19720 USA National Tel: 302 395 0310 Fax: 302 395 0312 International Tel: +1 302 395 0310 Fax: +1 302 395 0312			SIZE A4	Material:	REV A
			ALL dimensions are in mm unless otherwise stated		